

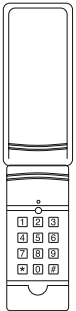


## Dolphin Wireless Garage Door Keypad Dual Frequency 300/310 MHz

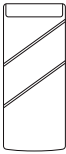
### Keypad Instructions

Product # DOLGDO300310

#### 1. INTRODUCTION



Thank you for your purchase of the Transmitter Solutions Dolphin wireless keypad. The DOLGDO300310 will accommodate one 4 digit PIN to activate a signal transmission.



Package contains:

- Keypad
- 9 volt battery
- 2 screws + wall anchors
- Keypad instructions

Please follow the detailed instructions below in order to set up the Dolphin keypad to operate with your garage door opener or receiver.

#### 2. OPERATIONAL FEATURES

- Pressing any key illuminates the keypad for 5 seconds.
- A "buzzer" indicates each button depression.
- After 20 incorrect key entries, the keypad will "lock up" for 40 seconds.
- If the battery is low the single LED flashes rapidly for 5 seconds, indicating it is time to replace the battery.
- After you have entered a valid code, the keypad LED will flash during the 5 second "time out" period. During the "time out" period you may press any key and the keypad will send another signal to your receiver each time you press a key.
- The \* key resets your entry. If you make a mistake while entering your PIN, pressing the \* key resets your entry so you can start over.

HINT: If you always begin your PIN with the \* you will reduce the likelihood of faulty operation

### 3. PROGRAMMING YOUR NEW KEYPAD

#### 1. SET FREQUENCY SWITCH

- Remove the access door on the top back of the keypad by sliding the door in the direction of the arrow. (see Figure 1)
- Locate the frequency switches on the top of the electronic board located inside of the access door. (see Figure 2)

#### 3. SET FREQUENCY JUMPER

- Determine the operating frequency you will use on your keypad installation. This keypad can operate at either 300 MHz or 310 MHz. At 300 MHz the keypad is compatible with the Hive 300/310 receiver and all 300 MHz receivers with 10 dip switches. At 310 MHz the keypad is compatible with the Hive 300/310 receiver, and all 310 MHz receivers with 8 dip switches and 310 MHz receivers with 10 dip switches. (see S1 and S2 on Figure 3)

Figure 1

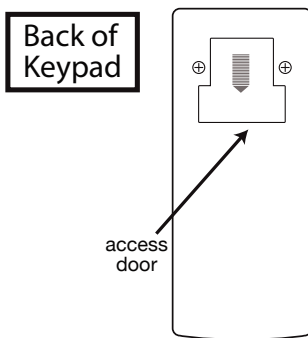


Figure 2

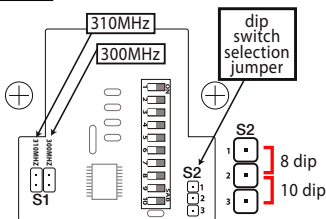
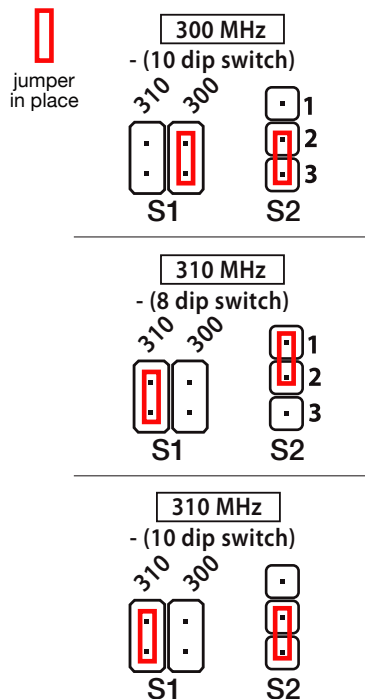


Figure 3



#### 4. SET DIP SWITCHES

- Set the DIP switches of the keypad to match the DIP switch settings of the receiver, or a functioning transmitter. (see Figure 4)
- Enter \* then the 4 digit PIN on the keypad, and then press # to activate the receiver. If you just purchased the keypad, the factory default 4-digit PIN is 1234. So please enter \*1-2-3-4 #. If the receiver does not operate, reverse the keypad DIP switches, and re-enter \* 1-2-3-4 #.



## 5. RETURN TO DEFAULT SETTINGS (continued)

### Multi-color status LED

ORANGE - Key depress

GREEN - Code was entered correctly and the keypad is transmitting

GREEN - Programming Mode

RED - (Flashing 3 times) Error was made in either programming mode or in code entry.

## 6. WARNING

If this transmitter triggers other doors in your neighborhood, change all your transmitters and receivers to a new code setting.

DO NOT let children use the keypad without adult supervision. Children can injure themselves, or others, if left unsupervised. Make sure all the required safety devices are installed before operating any door.

## 7. FCC

The keypad is approved by the FCC and it complies with Part 15 of the FCC Rules. Its operation is subject to the following 2 conditions:

1. This device may not cause harmful interference.
2. The device must accept any interference that may cause undesired operation.

### WARNING:

Changes or modifications to this unit not expressly approved by the party responsible for compliance could void the user's authority to operate the equipment.

FCC ID: SU7DOLGDO300310

## 8. WARRANTY

The warranty period of this product is 24 months, beginning from the manufacturing date. During this period, if the product does not operate correctly, due to a defective component, the product will be repaired or replaced at the sole discretion of Transmitter Solutions. This warranty does not extend to the product casing which can be damaged by conditions outside of the control of Transmitter Solutions.



7380 S. Eastern Avenue, Suite 124-320 • Las Vegas, NV 89123  
(866) 975-0101 • (866) 975-0404 Fax  
[www.transmittersolutions.com](http://www.transmittersolutions.com)

*Other Dolphin wireless garage door keypads by Transmitter Solutions:*  
DOLGDO433RC - 433 MHz 4 channel, long range, rolling code  
DOLGDO315390 - 315/390 MHz, 9 dip switch